



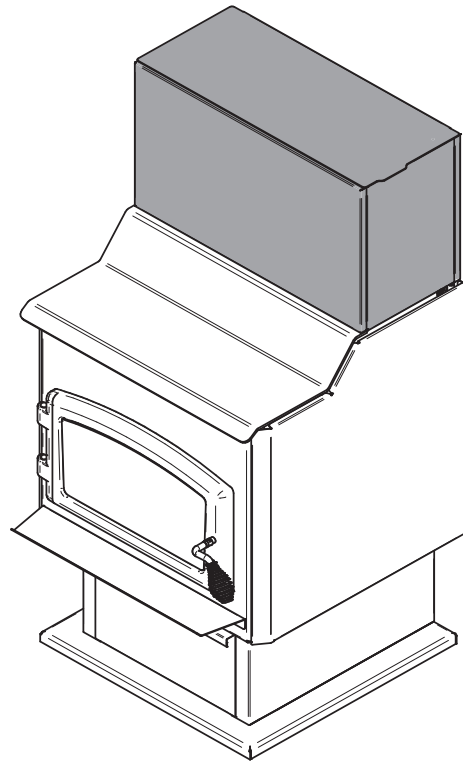
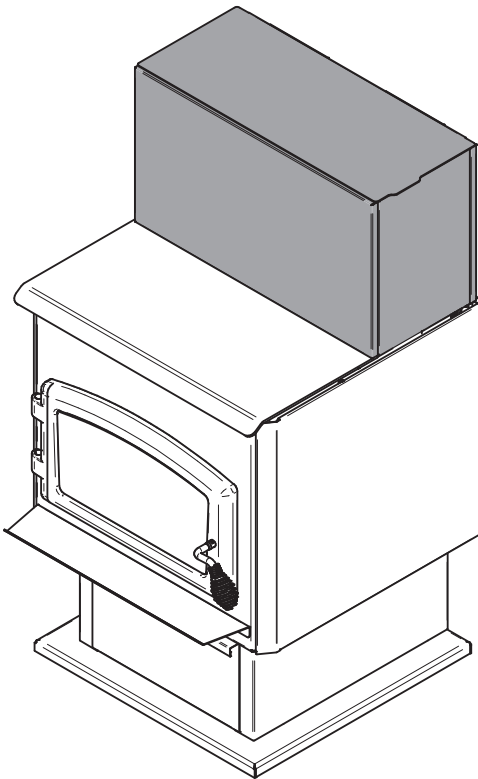
# HOPPER EXTENSION

## AC01393

---

### INSTALLATION INSTRUCTIONS

---



**Stove Builder International Inc.**

250, de Copenhague street, St-Augustin-de-Desmaures  
(Québec) Canada, G3A 2H3

Customer Service : 1-877-356-6663

Email : [tech@sbi-international.com](mailto:tech@sbi-international.com)

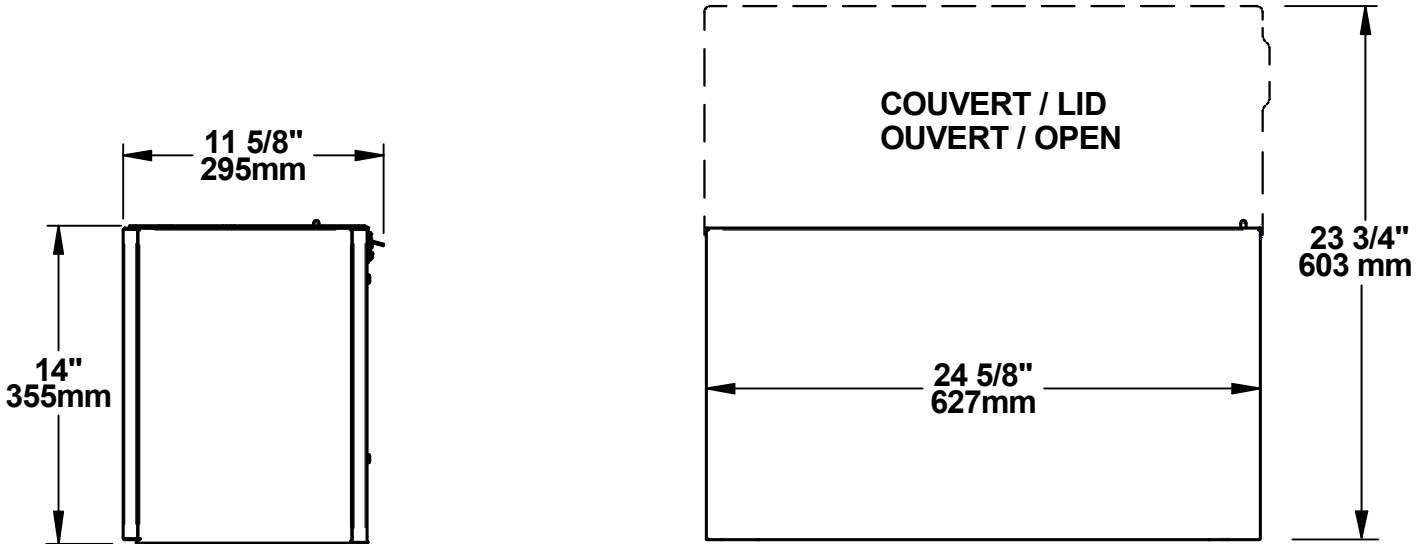


This manual is available for free download on the manufacturer's website. It is a copyrighted document. Re-sale is strictly prohibited. The manufacturer may update this manual from time to time and cannot be responsible for problems, injuries, or damages arising out of the use of information contained in any manual obtained from unauthorized sources.

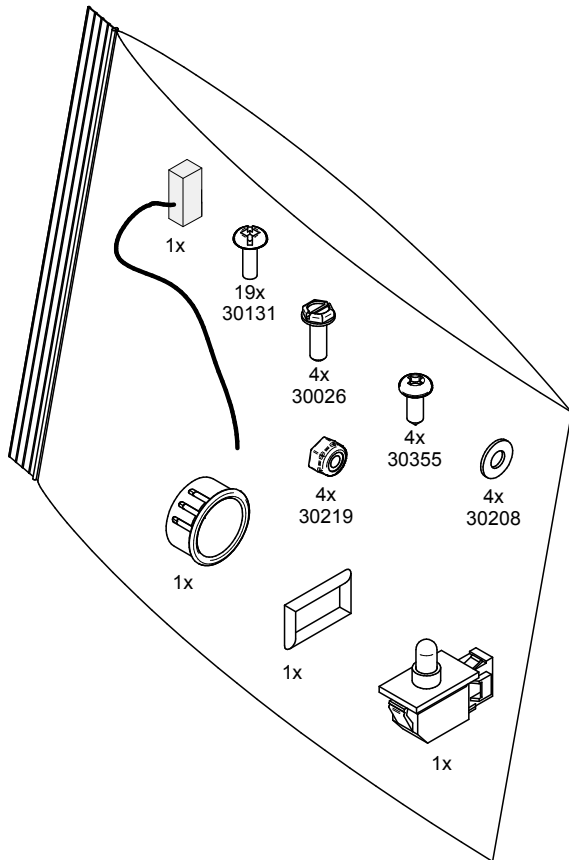
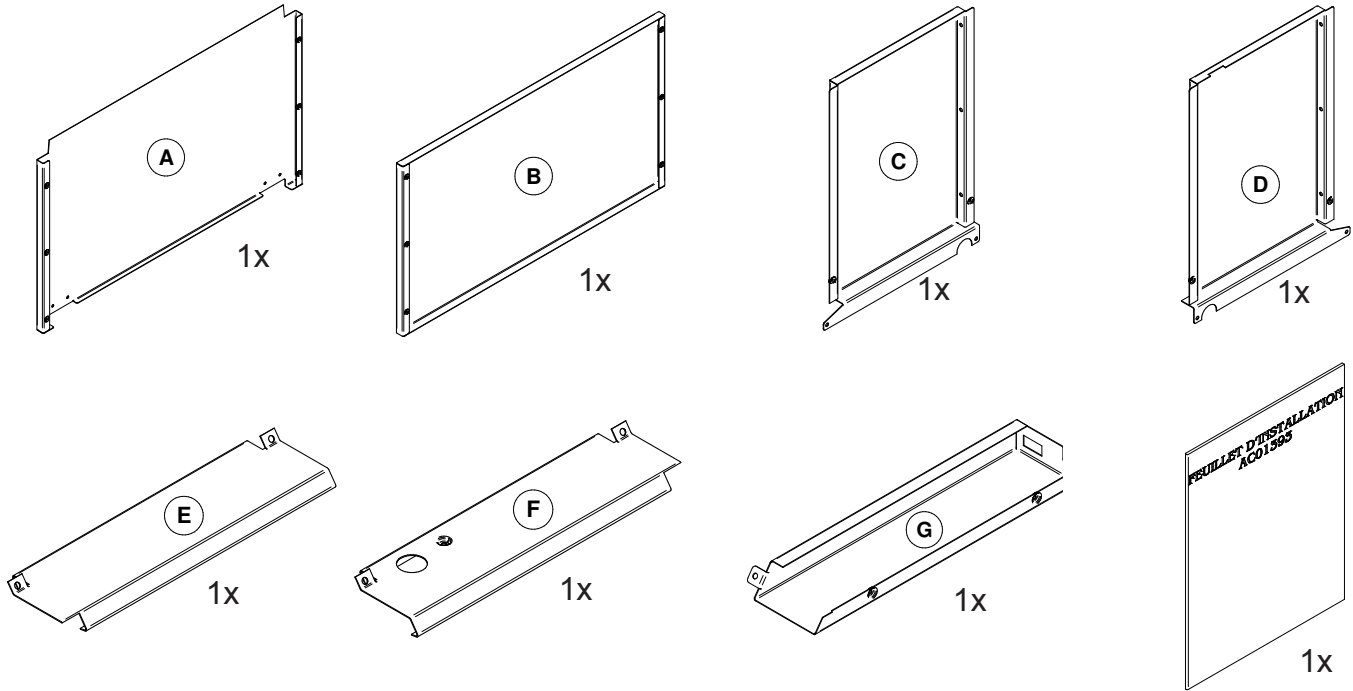
# APPLICATION

This hopper extension increases the hopper capacity of 80 lb.

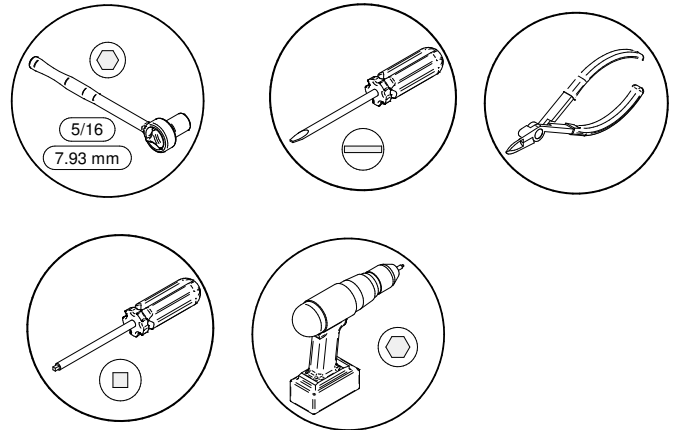
# OVERALL DIMENSIONS



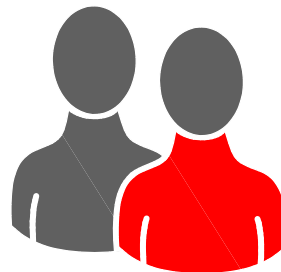
# KIT CONTENTS

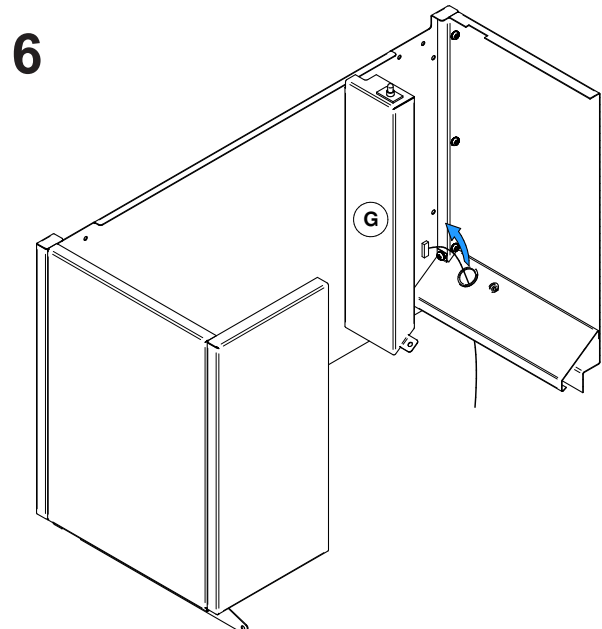
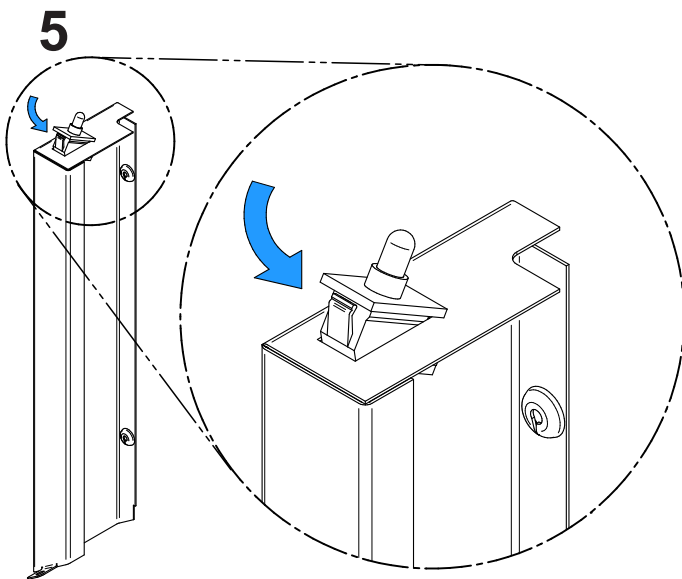
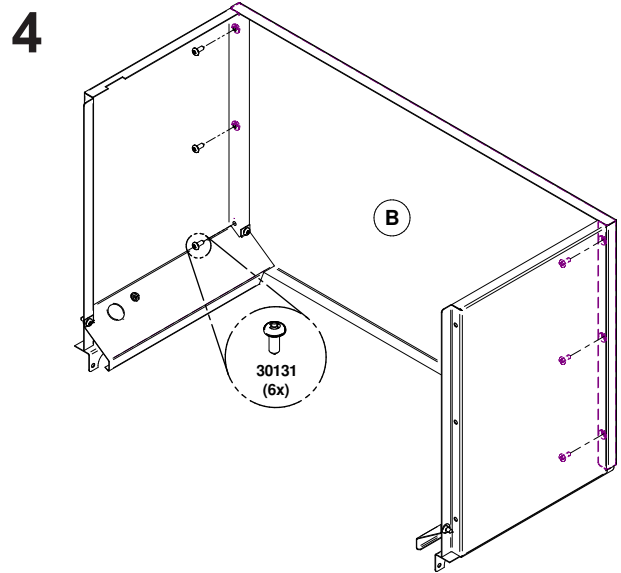
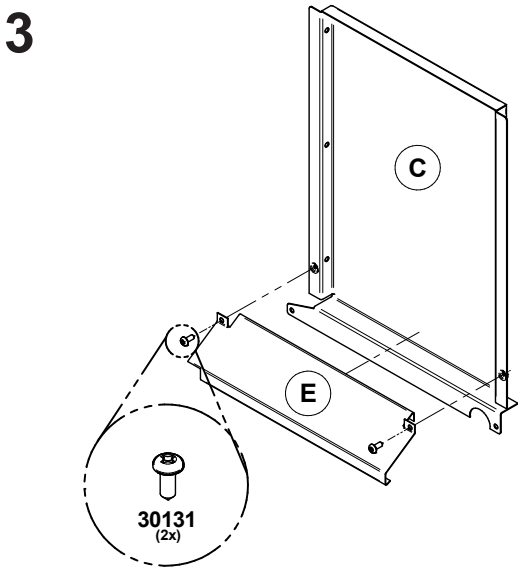
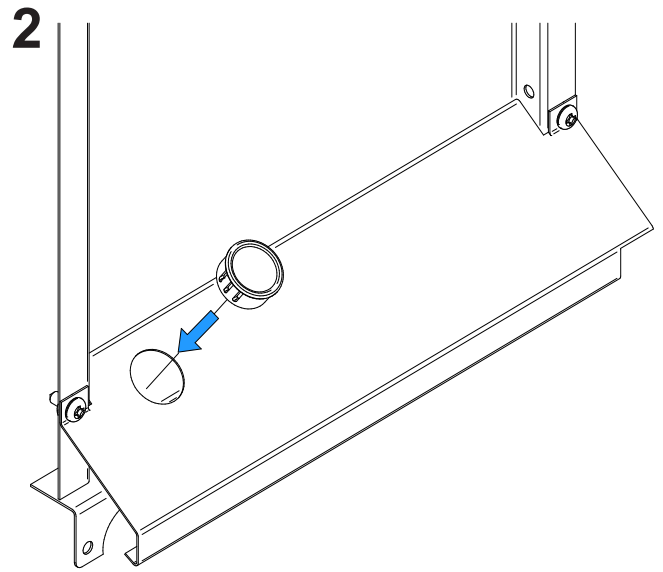
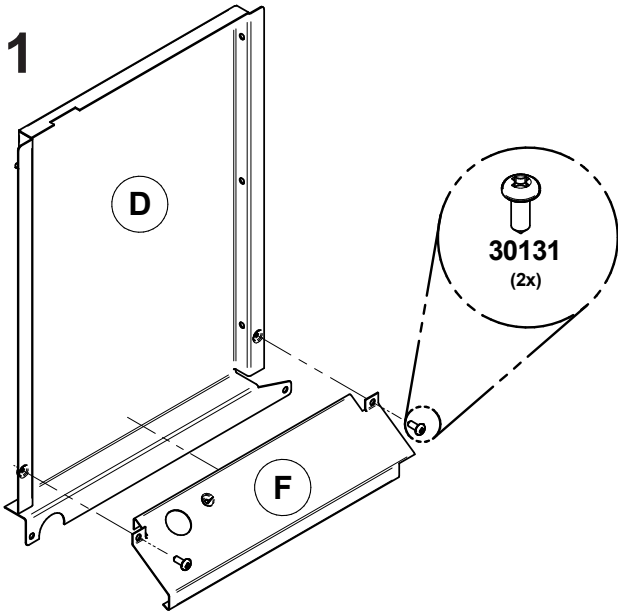


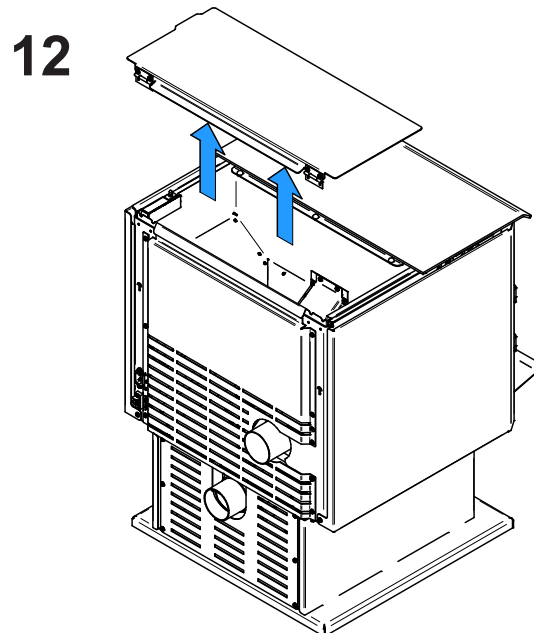
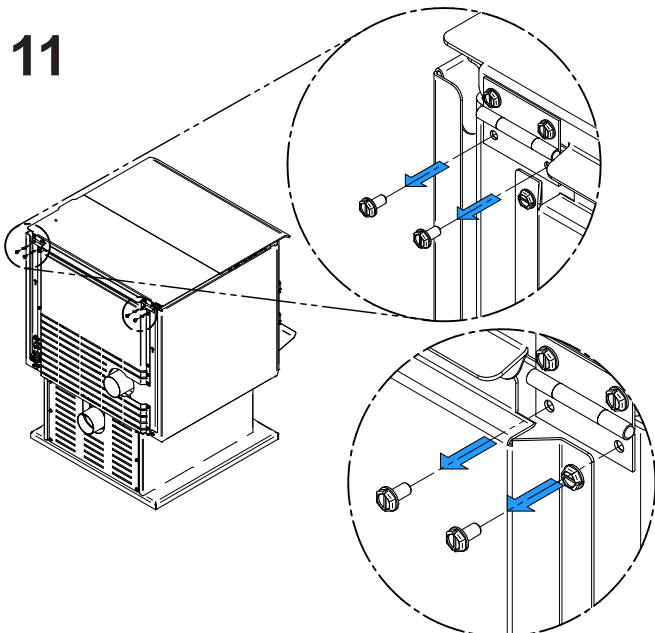
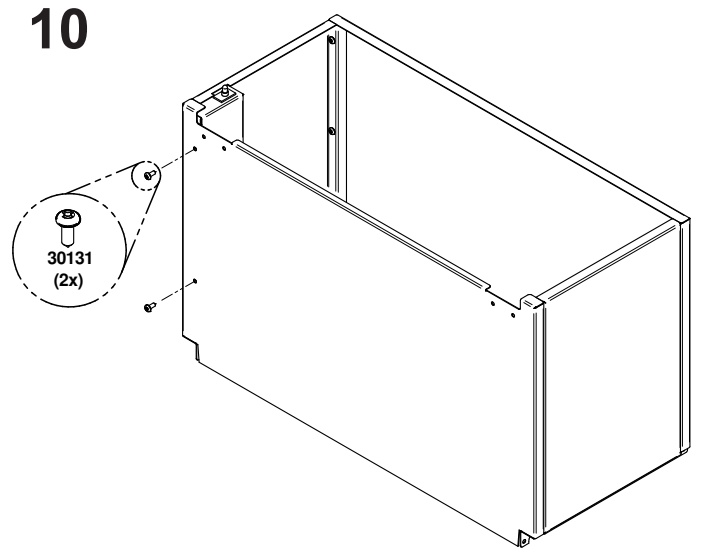
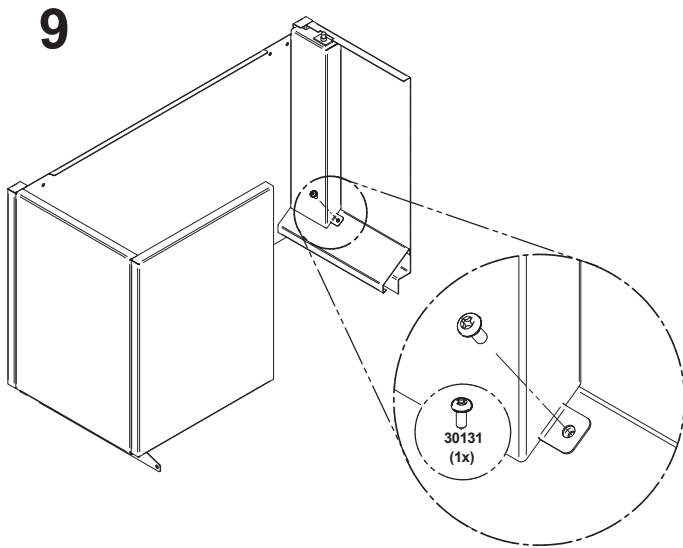
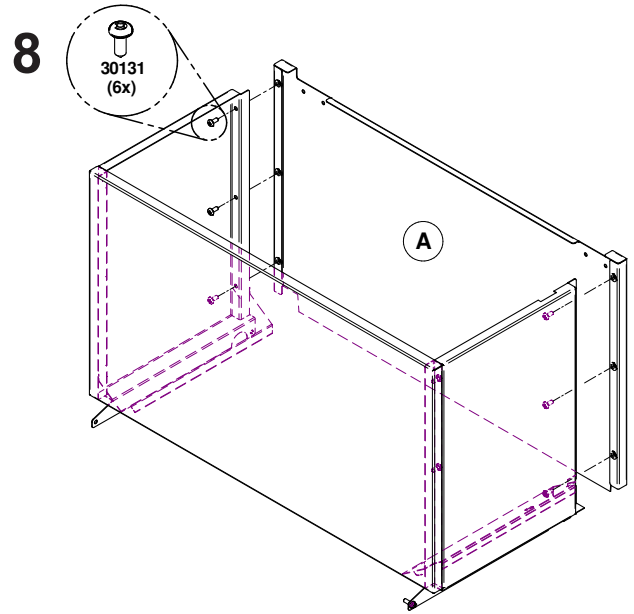
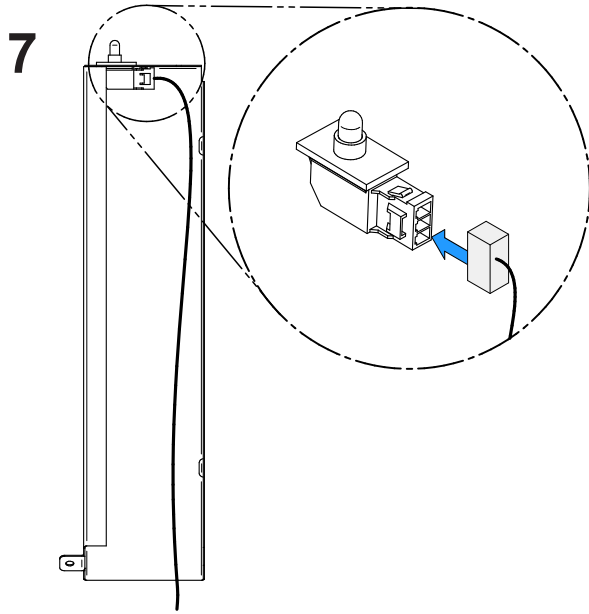
# NECESSARY TOOLS

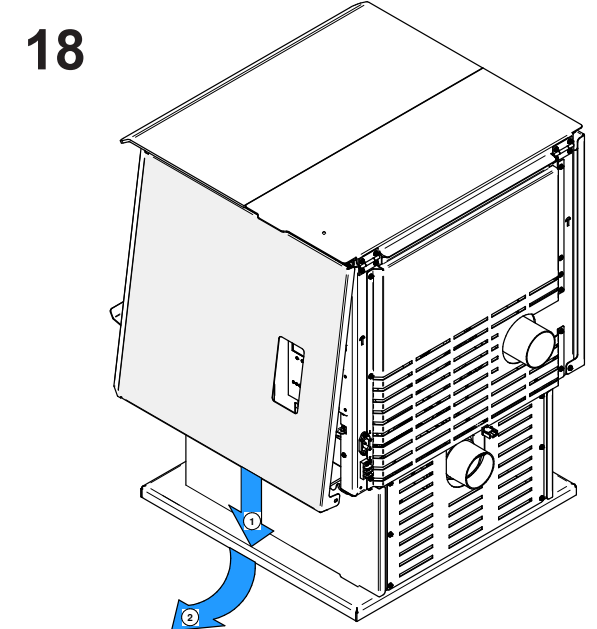
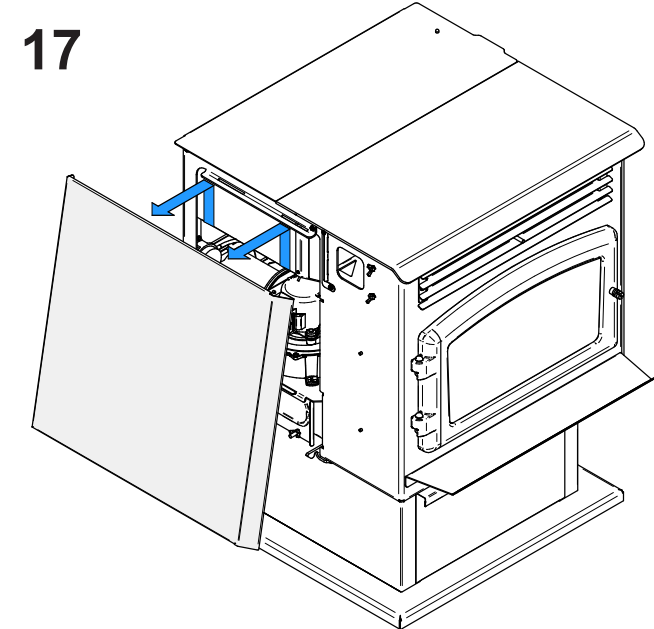
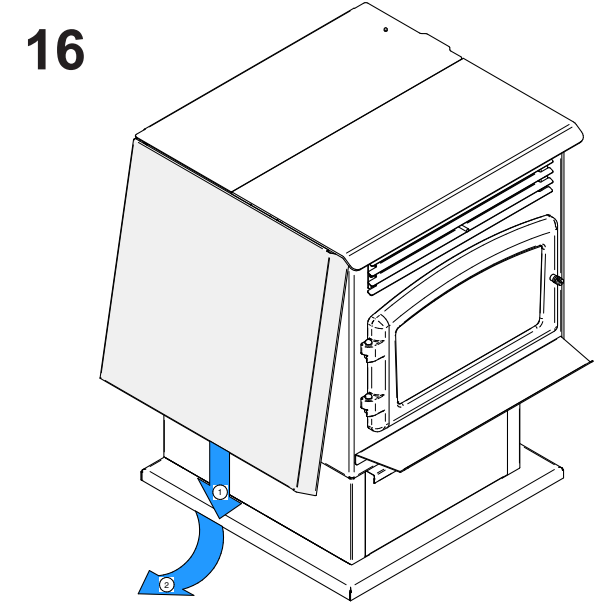
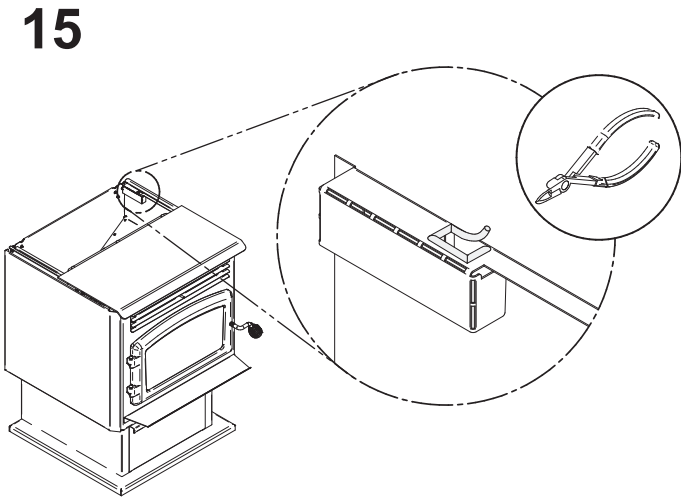
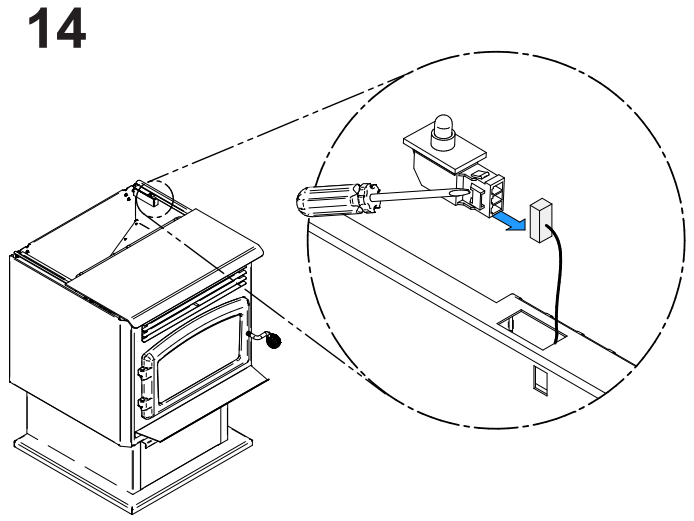
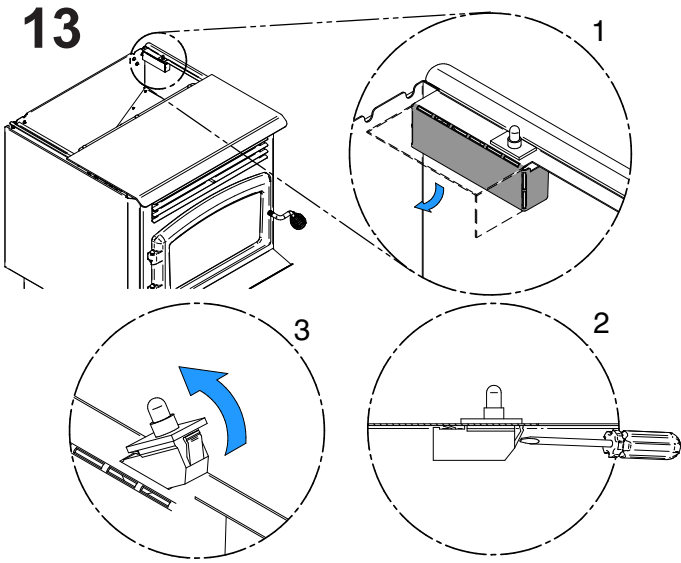


# RECOMMENDATIONS

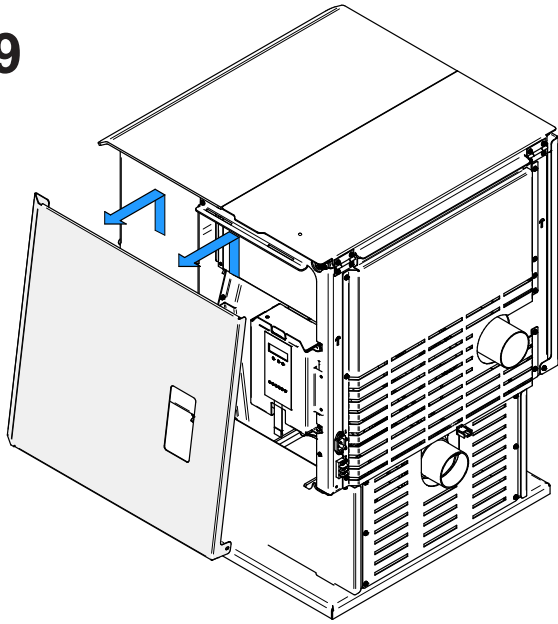




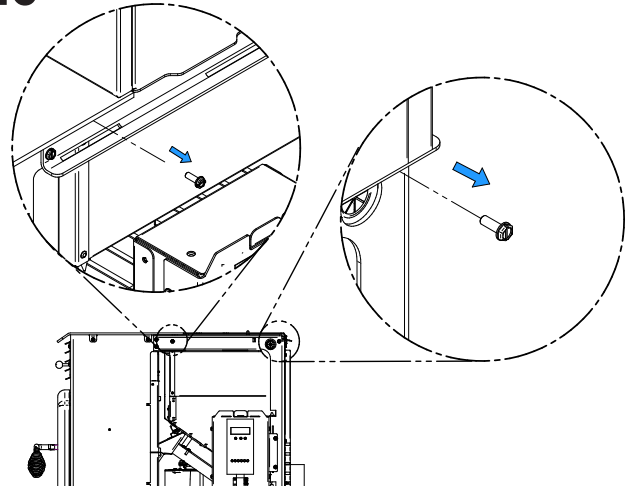




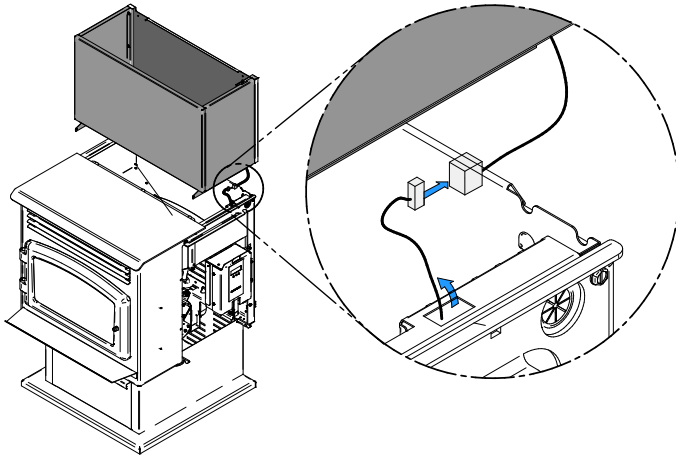
19



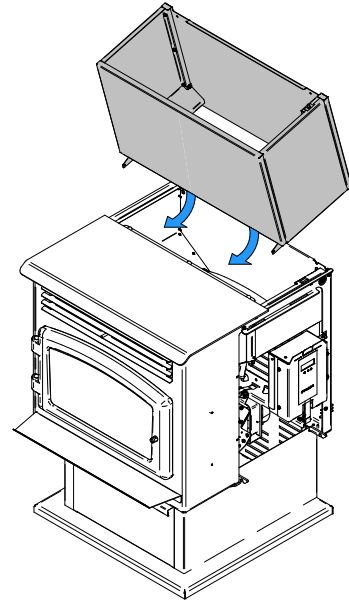
20



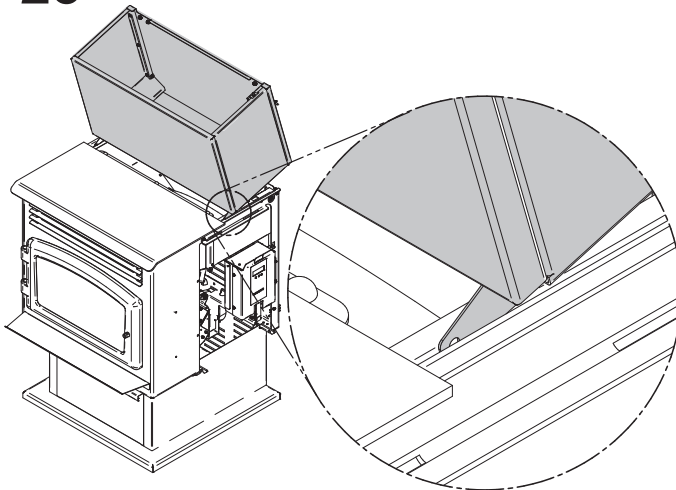
21



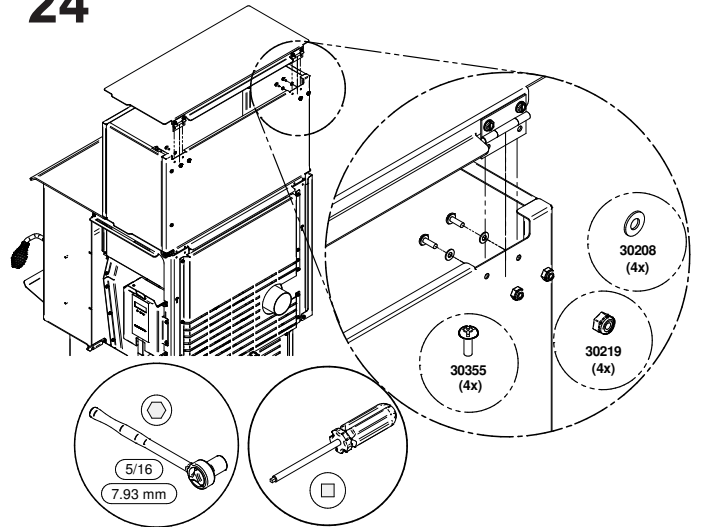
22



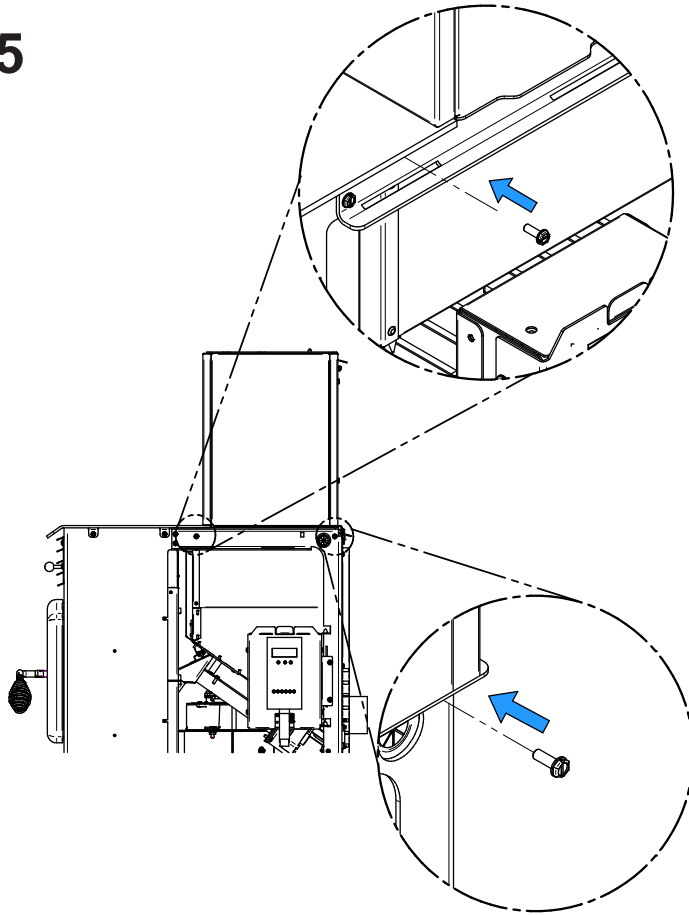
23



24



25



**Stove Builder International Inc.**

250, de Copenhague street, St-Augustin-de-Desmaures  
(Québec) Canada, G3A 2H3

Customer Service : 1-877-356-6633  
Email : tech@sbi-international.com